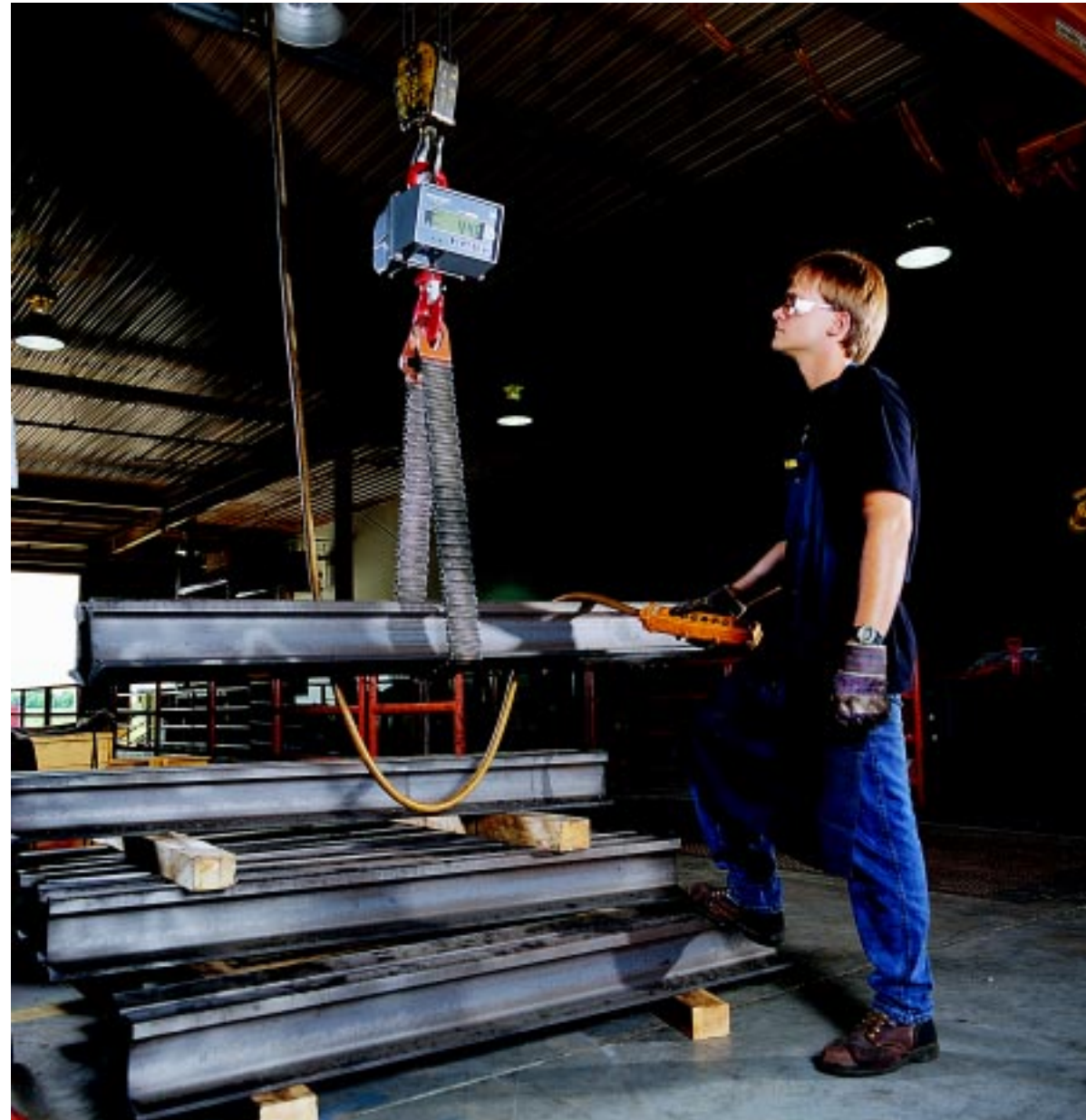


# WEIGH-TRONIX

The Captain Hook™ Crane Scale has the right combination of features—Compact design for minimum headroom; capacities from 2,500 lb to 40,000 lb; large, clear display with automatic backlighting; water and dust sealed enclosure; infra-red, hand-held remote control.



## Captain Hook™ CH-2000 Crane Scale

# If you built your own crane scale it would be Captain Hook™

The inherent efficiency of the crane scale guarantees its continuing popularity. A correctly installed crane scale lets operators accomplish two things at once: move materials and simultaneously gather accurate weigh data or inventory information.

The ideal crane scale must be more than accurate. It's going to collide with other equipment; it's going to work in all kinds of environments. It's got to be easy to read and unquestionably safe for overhead operation.



Captain Hook is a battery operated crane scale for manufacturing, construction, transportation, material handling, and foundry sites—anywhere cranes or hoists move product.

Big display, battery operation, power saving electronics, compact design, minimum headroom—These are the things that will pay you back every time you use the Captain Hook Crane Scale.

**Minimum headroom**— Compact design means minimum headroom loss. Only 17 inches (43 cm) on the 2500 lb model and 33.4 inches (85 cm) on the 40,000 lb model.

**Gross/Tare reading annunciators**

**Large, easy to read display**— Five digits, 1.6 inches high.

**Automatic backlight**— A light sensor mounted on the front of the Captain Hook Crane Scale detects low light conditions and automatically activates the display backlighting. CH-2000 is easy to read no matter what the conditions.

**Large, clearly marked function keys**— Tare, Gross / Net, Zero, Power

**Application specific Weigh Bar™ weight sensor**

**Compact, robust enclosure**— water and dust sealed, the Captain Hook Crane Scale is designed to hold up in a harsh environment.

**Battery operated**— Low-power A to D converter conserves battery life. Battery life can be up to 400 hours depending on the use of the backlight.



**Large hook with spring loaded safety clip**



**Remote control option**— Operate the Captain Hook Crane Scale from a distance with an optional infra-red remote control. All the same functions as on the scale face: set tares (nine-channel tare memory), gross and net readings, zero the scale, on/off.

## Specifications

Capacity		A		B		C		D		E		F		G		H	
		in	mm	in	mm	in	mm	in	mm	in	mm	in	mm	in	mm	in	mm
2,500 lb	1,000 kg	17.0	431	3.0	75	3.2	82	1.1	30	1.0	26	2.1	54	1.3	35	2.7	70
5,000 lb	2,000 kg	17.0	431	3.0	75	3.2	82	1.1	30	1.0	26	2.1	54	1.3	35	2.7	70
10,000 lb	5,000 kg	17.5	445	3.0	75	3.2	82	1.1	30	1.0	26	2.1	54	1.3	35	2.7	70
25,000 lb	10,000 kg	25.9	657	4.0	100	4.1	105	1.9	49	1.1	30	2.6	68	1.7	44	3.1	80
40,000 lb	20,000 kg	33.4	848	4.0	100	8.1	207	2.7	70	1.9	49	3.7	96	2.4	62	5.7	147

**Enclosure:** Cast aluminum, NEMA 4 / IP 65 rated

**Finish:** epoxy paint

**Safe overload/proof tested:**  
200% of rated capacity

**Ultimate overload:** 500% of rated capacity

**Batteries—scale/handset:**  
Scale: Six D-type cells.  
Hand set: One 9-volt alkaline battery.

**Battery life (alkaline):**  
85 to 400 hours continuous use,  
depending on use of backlight.

**Operating temperature:**  
-20° C to 70° C (-5° F to 160° F)

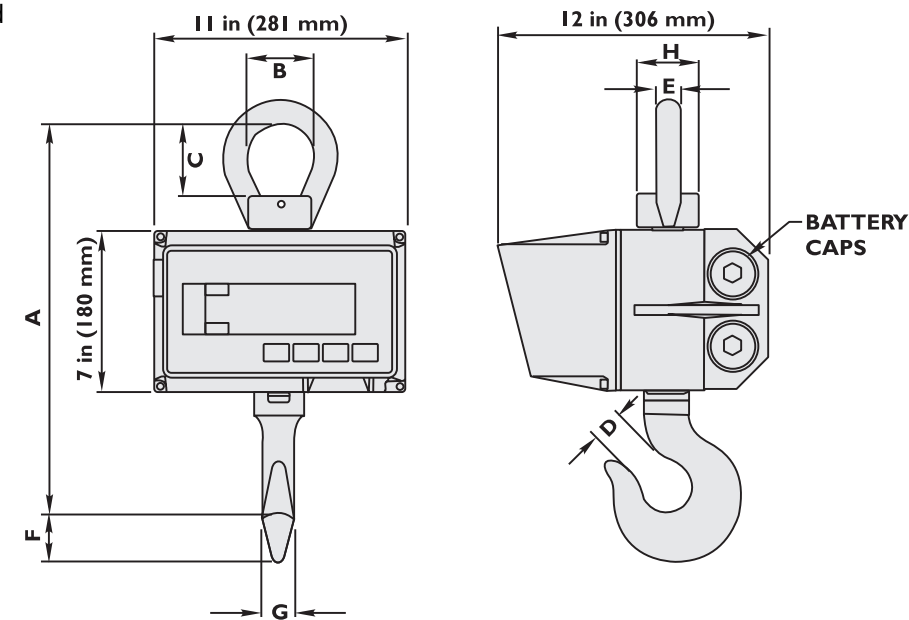
**Zero range:** 2% of rated capacity

**Display:** 5-digit, 7-segment LCD, 1.6 inches high with annunciators and backlight

**A to D conversion rate:** 10 times per second

**Optional infra-red remote control:** 50-ft operating range

**Warranty:** Two years



Capacities and resolution		Headroom		Weight	
lb	kg	in	mm	lb	kg
2,500 x 0.5, 0.2	1,000 x 0.2, 0.1	17	431	41	18.5
5,000 x 1, 0.5	2,000 x 0.5, 0.2	17	431	41	18.5
10,000 x 2, 1	5,000 x 1, 0.5	17.5	445	44	20
25,000 x 5, 2	10,000 x 2, 1	26	657	70	32.0
40,000 x 10, 5	20,000 x 5, 2	33.5	848	123	55.8



**Weigh-Tronix Inc**  
1000 Armstrong Dr  
Fairmont, MN 56031-1000, USA  
Telephone +1 507-238-4461  
Facsimile +1 507-238-4195  
e-mail: industrial@weigh-tronix.com  
http://www.weigh-tronix.com

**Staveley Weighing & Systems  
Canada Inc**  
PO Box 79069  
55 Administration Road  
Concord, Ontario L4K 1Y7, Canada  
Telephone +1 905-669-2777  
Facsimile +1 905-669-4774

**WEIGH-TRONIX**

Weighing Products & Systems